

Robinia Ships, Castles, and Tall Castles

ASTM top view, side view and safety footprints
(Subject to change)



MEDIUM PIRATE SHIPS

ASTM



NB: these renderings are not fully updated, in comparison to drawings

Medium Pirate Ship

ASTM / NRO 541
NRO541-1001 Untreated \$73,030
NRO541-1011 Brown \$80,340
NRO541-1021 Colored \$83,270
Est. Installation Price \$22,620

Medium Explore Ship

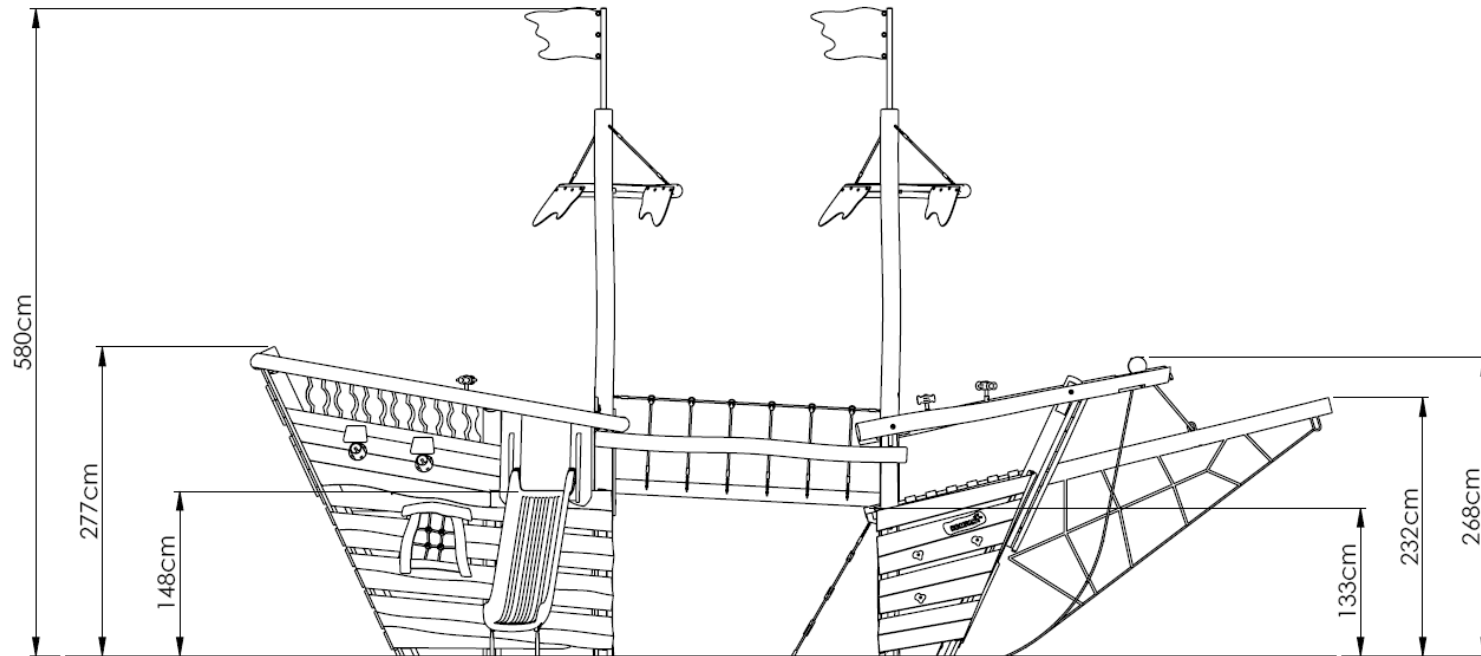
ASTM / NRO 543
NRO543-1001 Untreated \$73,030
NRO543-1011 Brown \$80,340
NRO543-1021 Colored \$83,270
Est. Installation Price \$22,620



MEDIUM PIRATE SHIPS

ASTM

Dimension side-view (Subject to change)



Max fall height: 2770 mm

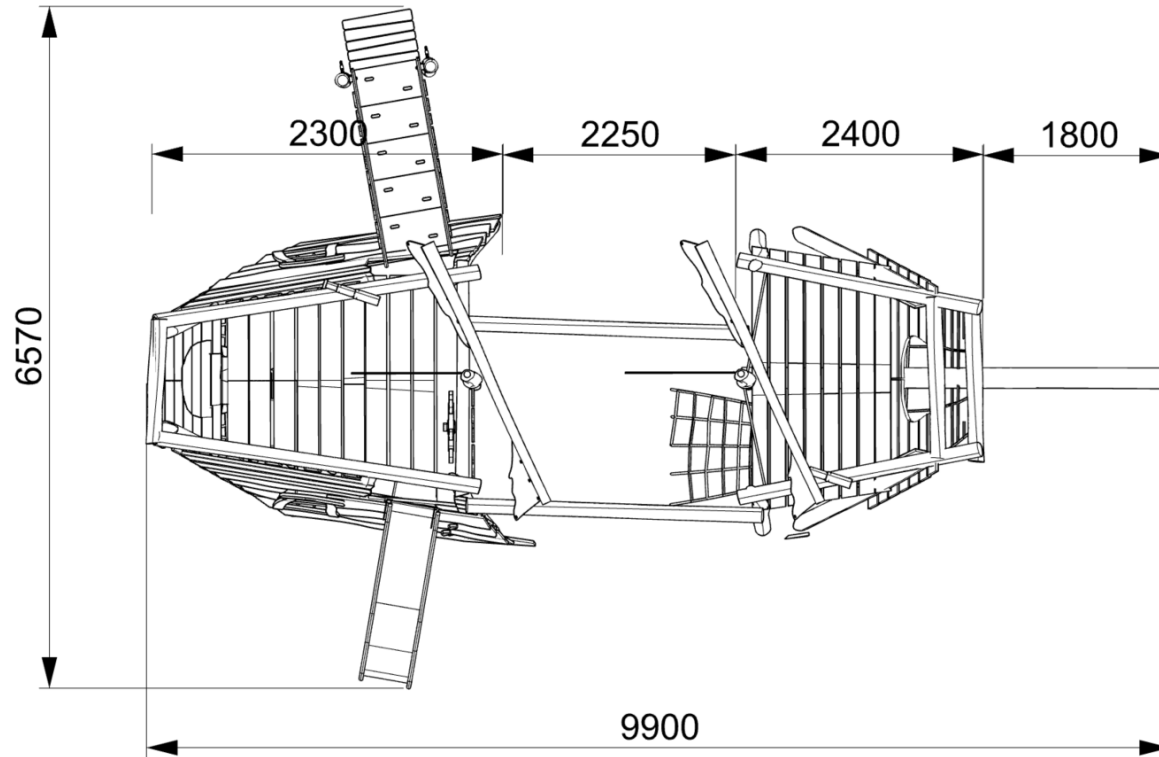
Total height: 5800 mm



MEDIUM PIRATE SHIPS

ASTM

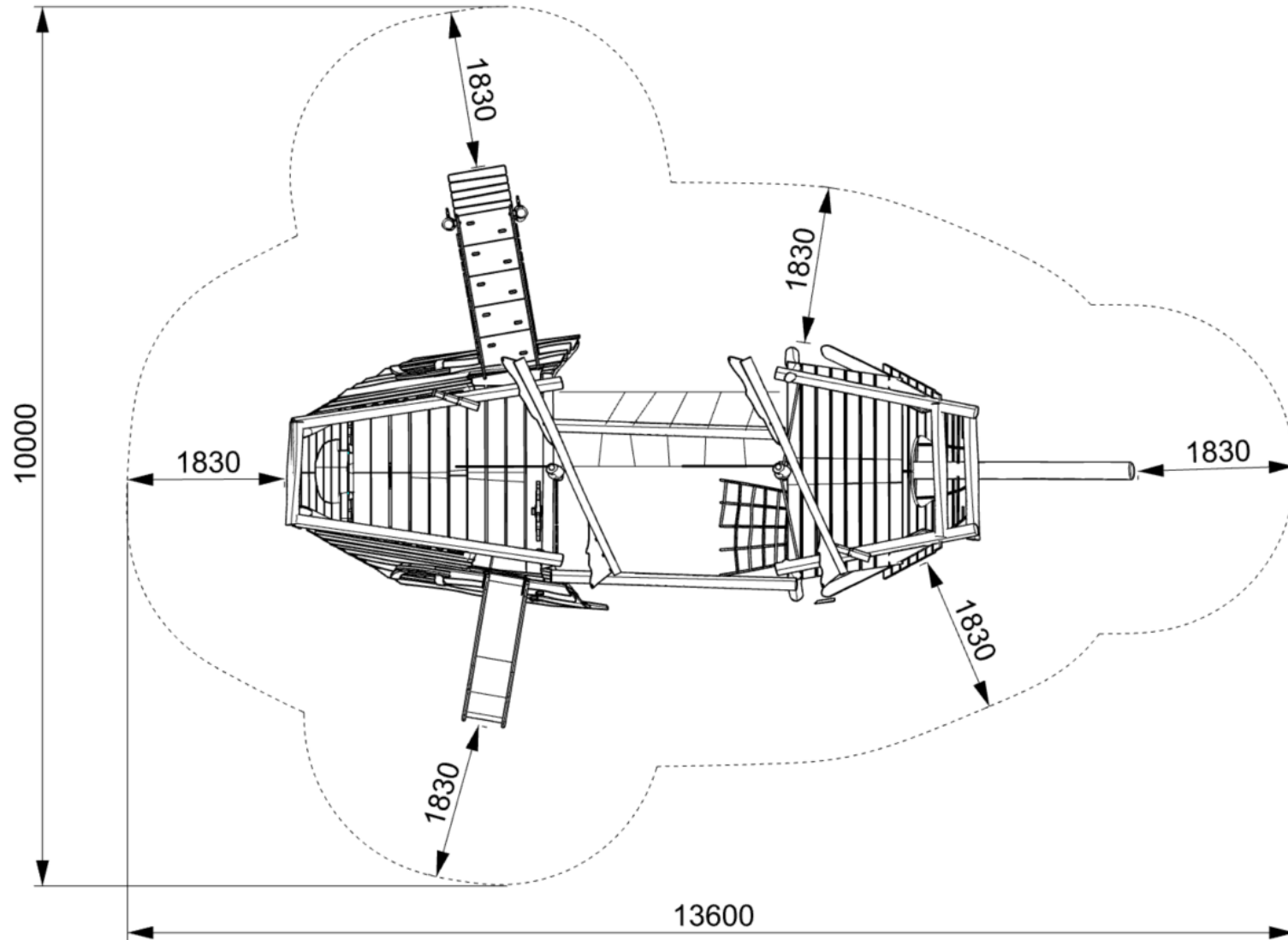
Dimension top-view (Subject to change)



MEDIUM PIRATE SHIPS

Safety surface area (Subject to change)

ASTM



Safety surface area: 80 – 90 m²



LARGE PIRATE SHIPS

ASTM



NB: these renderings are not fully updated, in comparison to drawings

Large Pirate Ship

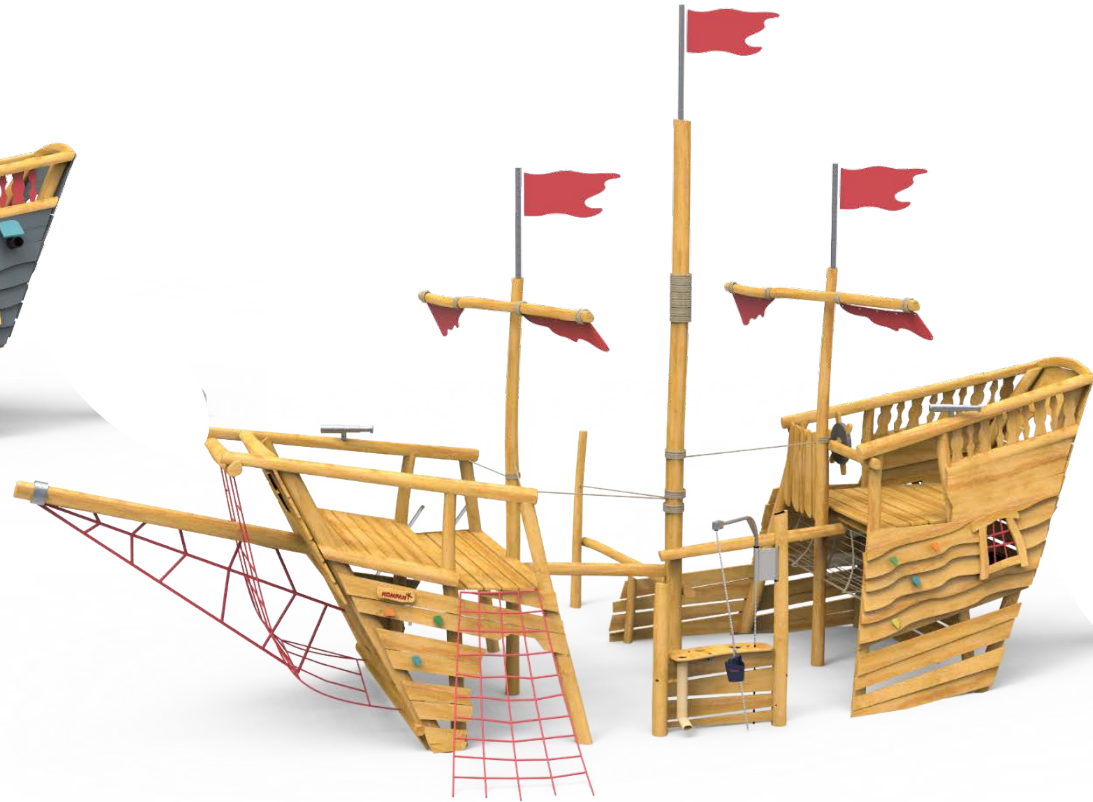
ASTM / NRO 545

NRO545-1001 Untreated \$103,280

NRO545-1011 Brown \$113,610

NRO545-1021 Colored \$117,760

Est. Installation Price \$34,957



Large Explore Ship

ASTM / NRO 547

NRO545-1001 Untreated \$103,280

NRO545-1011 Brown \$113,610

NRO545-1021 Colored \$117,760

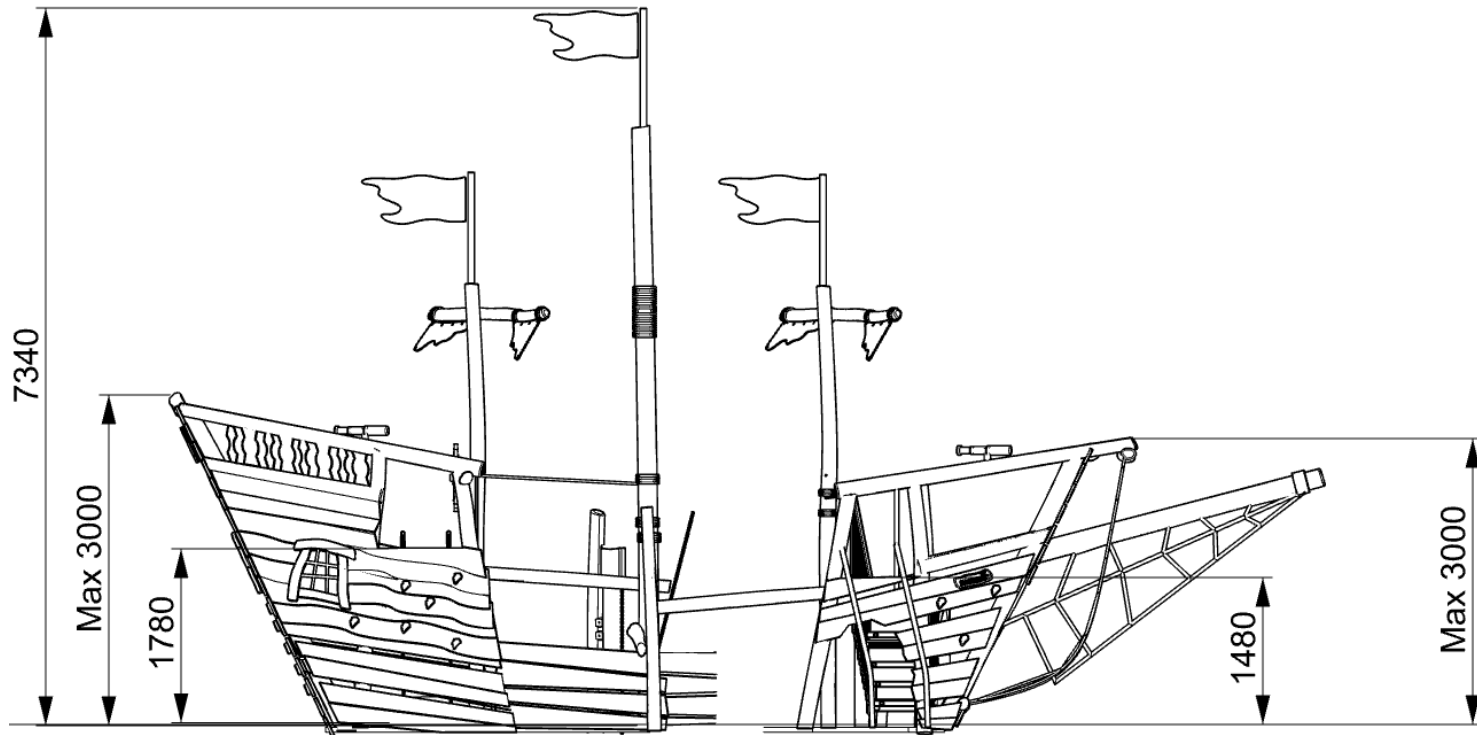
Est. Installation Price #34,957



LARGE PIRATE SHIPS

Dimension side-view (for conceptual use)

ASTM



Max fall height: 3000mm

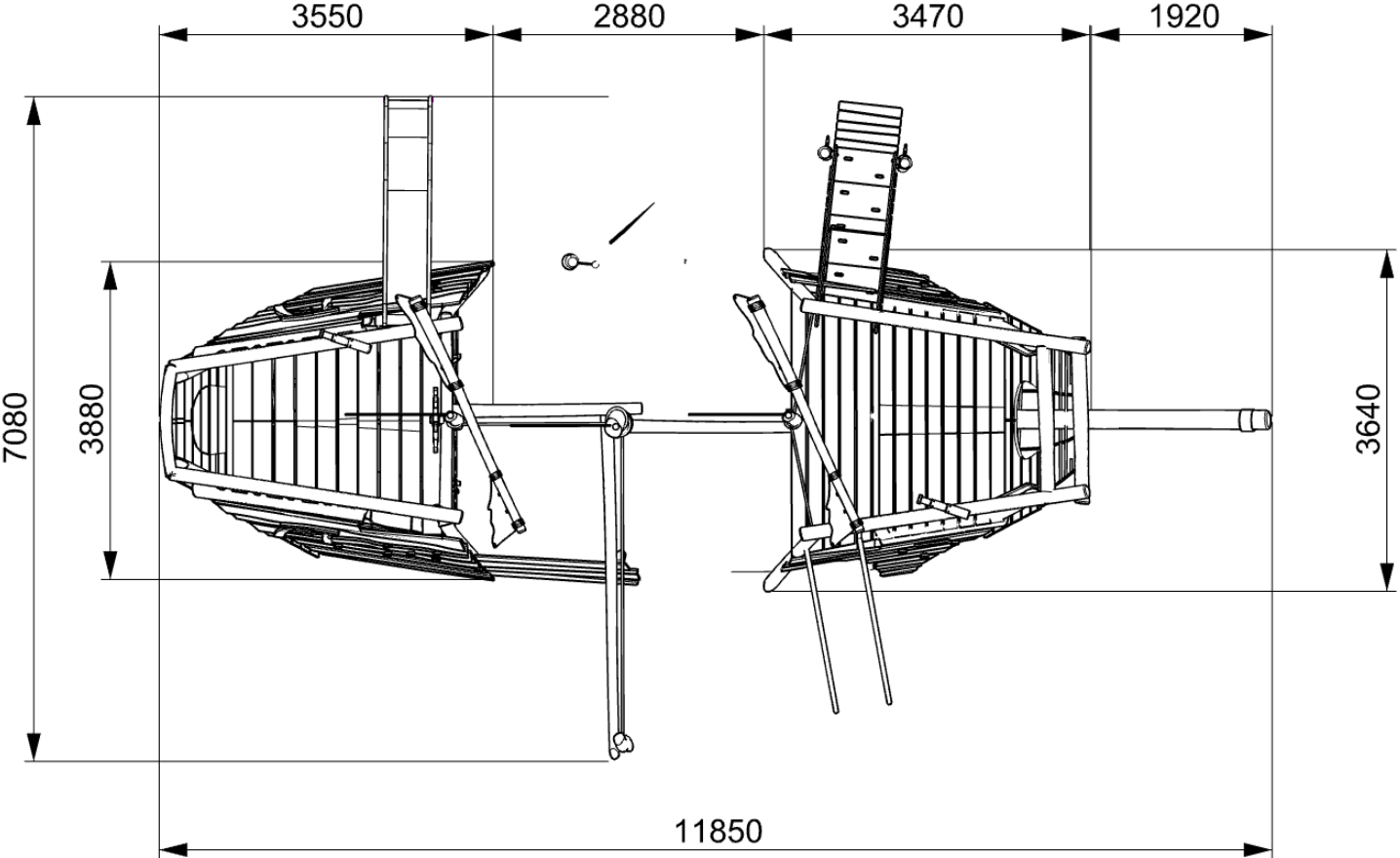
Total height: 7353mm



LARGE PIRATE SHIPS

Dimenson top-view (Subject to change)

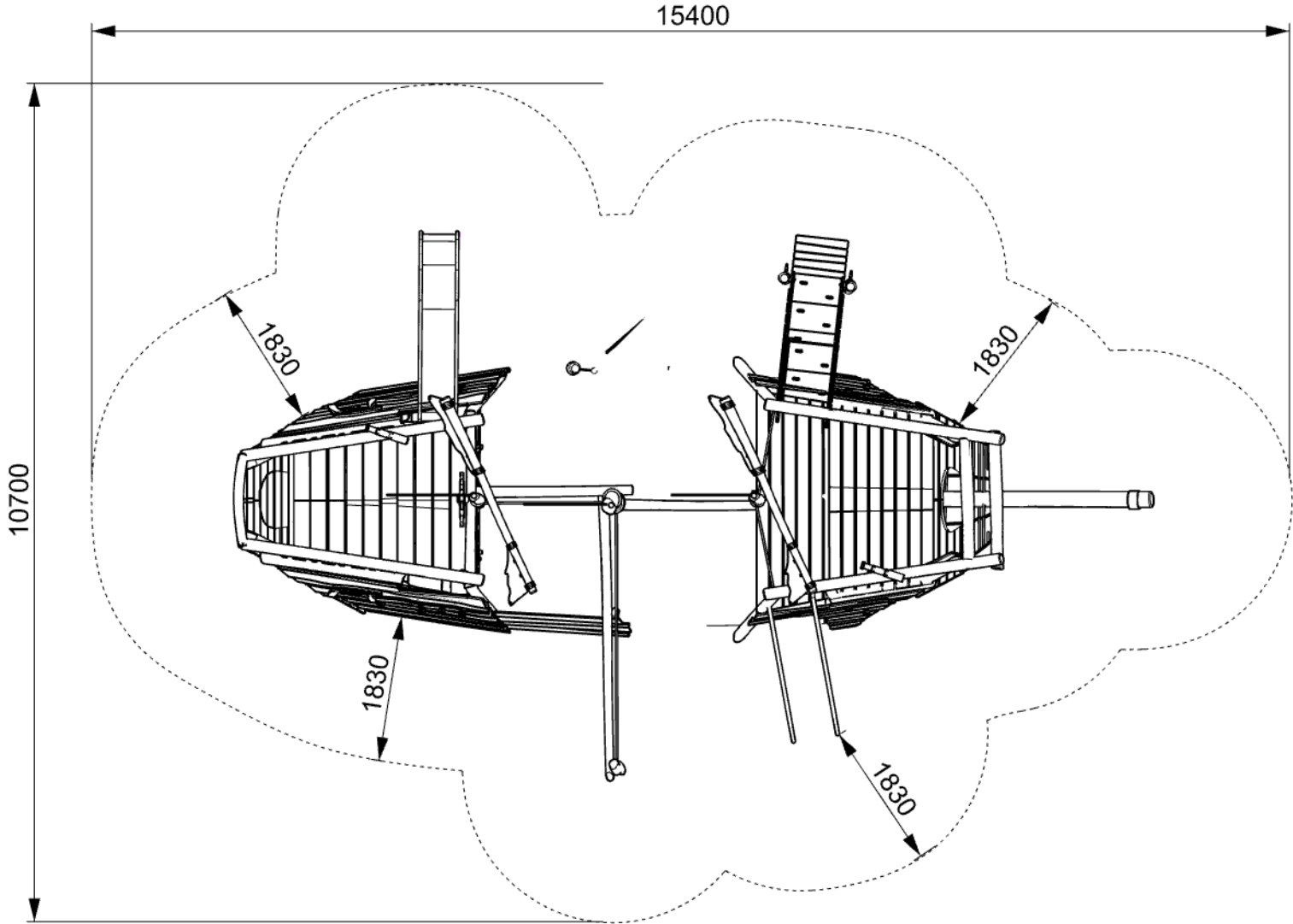
ASTM



LARGE PIRATE SHIPS

Safety surface area (Subject to change)

ASTM



Safety surface area: 110 – 120 m²



XL PIRATE SHIPS

ASTM



NB: these renderings are not fully updated, in comparison to drawings



XL Pirate Ship

ASTM / NRO 549
NRO549-1001 Untreated \$140,100
NRO549-1011 Brown \$148,900
NRO549-1021 Colored \$152,400
Est. Installation Price \$47,833

XL Explore Ship

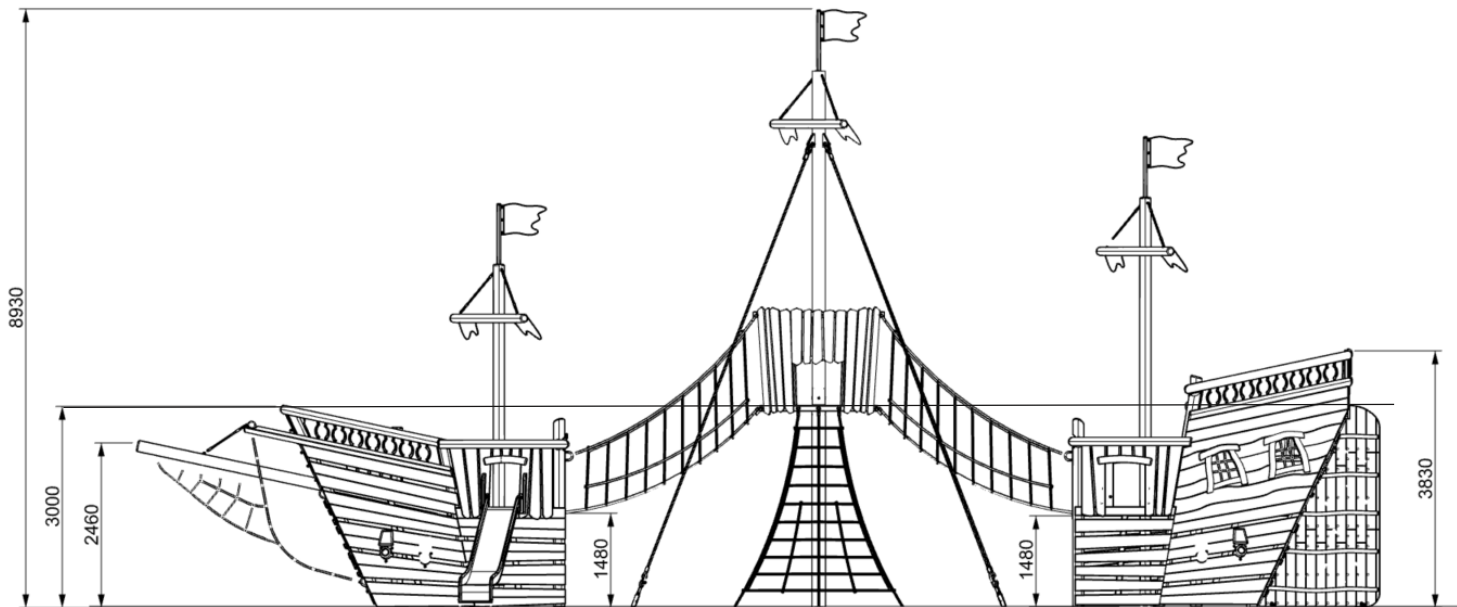
ASTM / NRO 551
NRO551-1001 Untreated \$140,100
NRO551-1011 Brown \$148,900
NRO551-1021 Colored \$152,400
Est. Installation Price \$47,833



XL PIRATE SHIPS

Dimension side-view (Subject to change)

ASTM



Max fall height: 3000mm

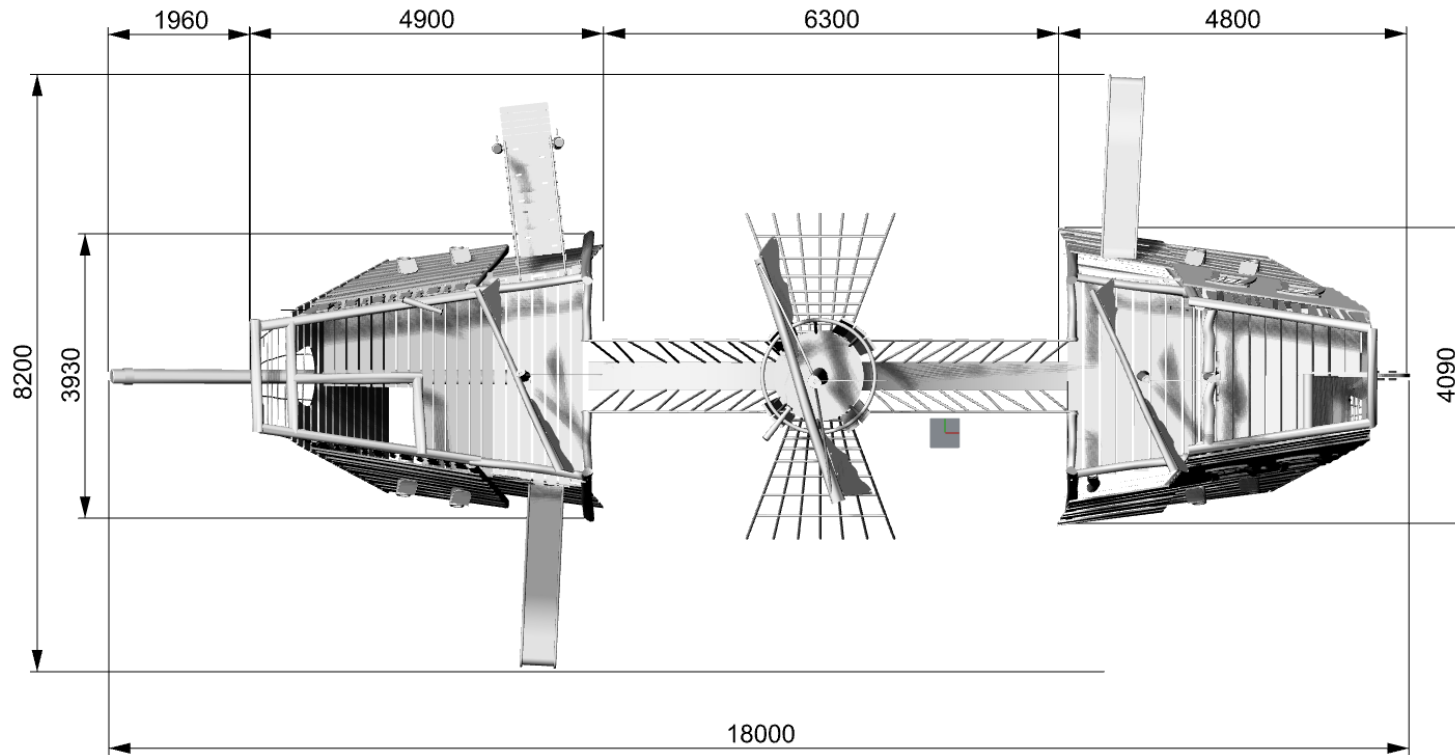
Total height: 8930mm



XL PIRATE SHIPS

Dimension top-view (Subject to change)

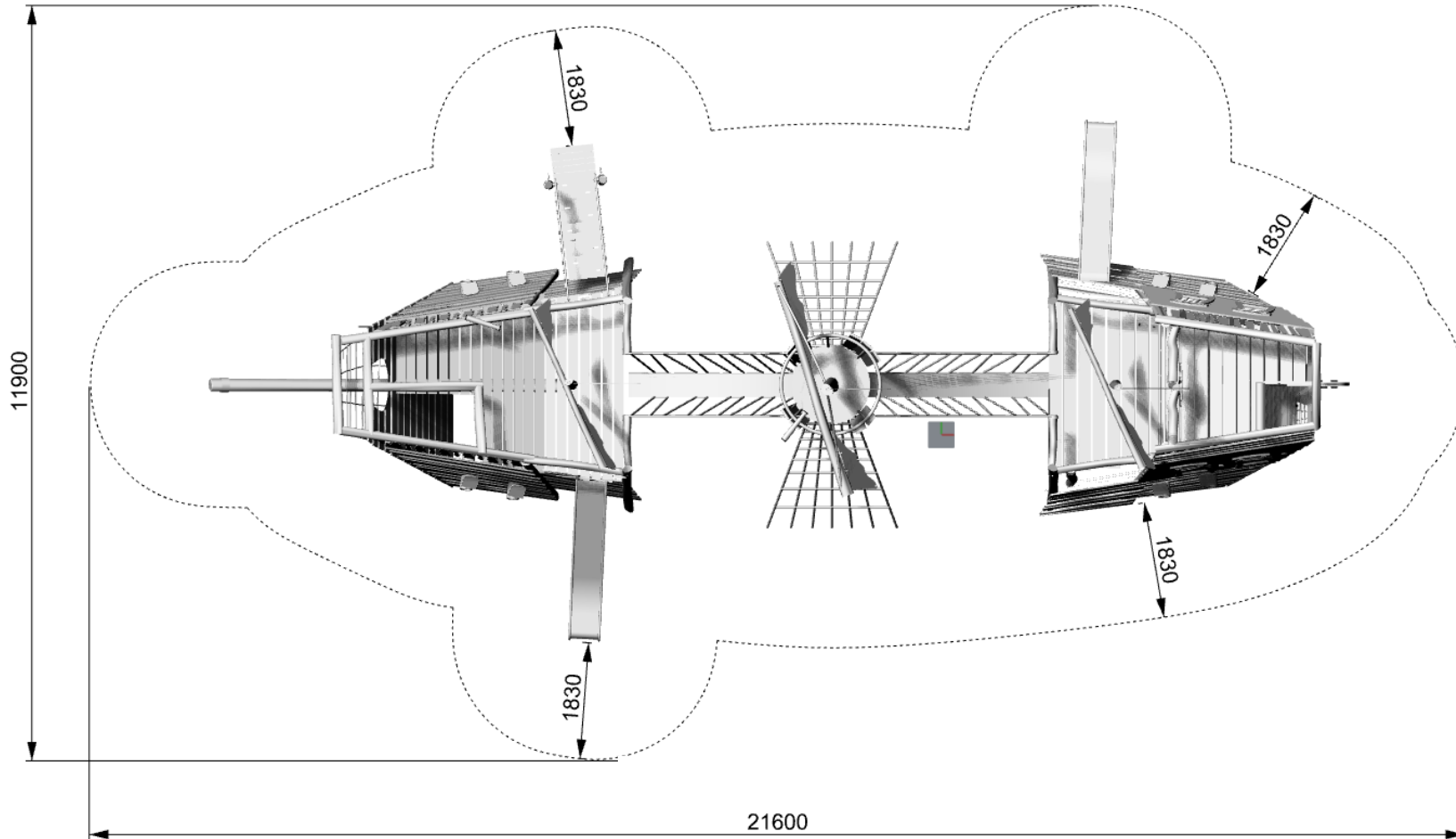
ASTM



XL PIRATE SHIPS

Safety surface area (Subject to change)

ASTM



Safety surface area: 160 – 190 m²



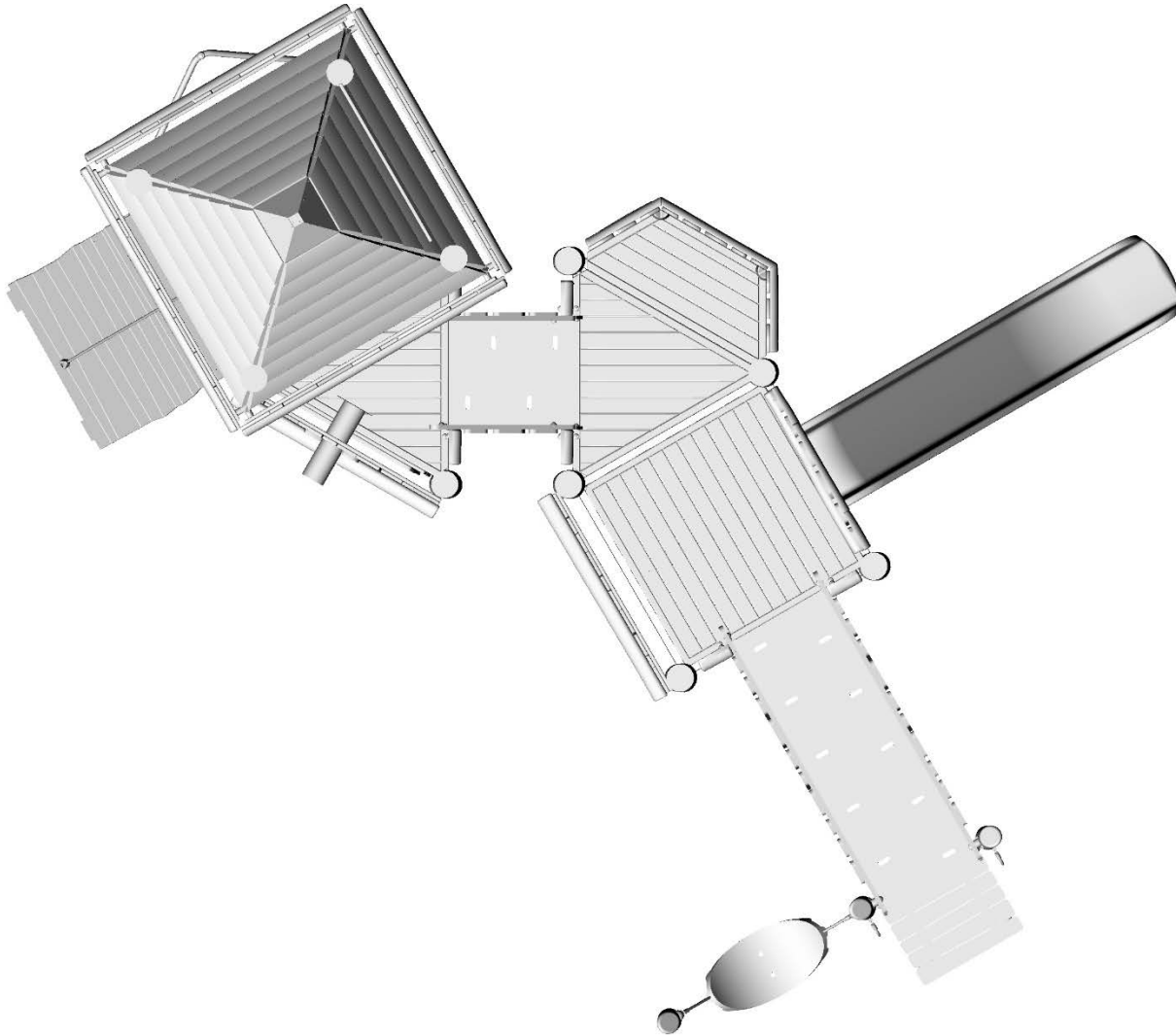
NRO421 ASTM
Castle, Small



NRO421-1001 Untreated \$60,150
NRO421-1011 Brown \$64,960
NRO421-1021 Colored \$67,350
Est. Installation Price \$21,290



NRO421 ASTM
Castle, Small



Activitie count		
Elevated	Total	4
	Accessible	3
Groundlevel	Total	3
	Accessible	3

Safety surface area: 70 - 85 m²
Max fall height: 2380 mm

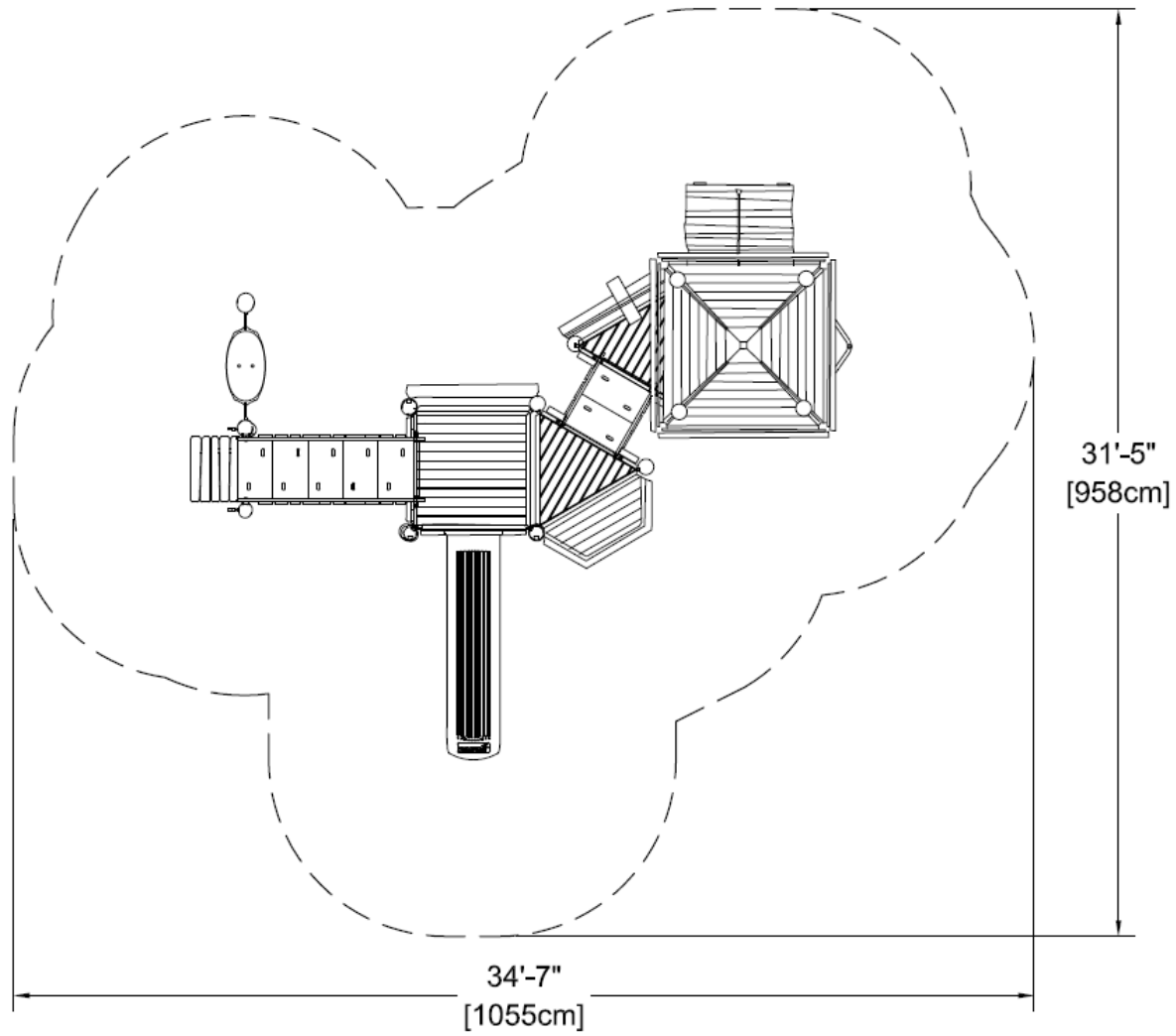


NRO421 ASTM
Castle, Small



NRO421 ASTM

Castle, Small



NRO423 ASTM
Castle, Medium

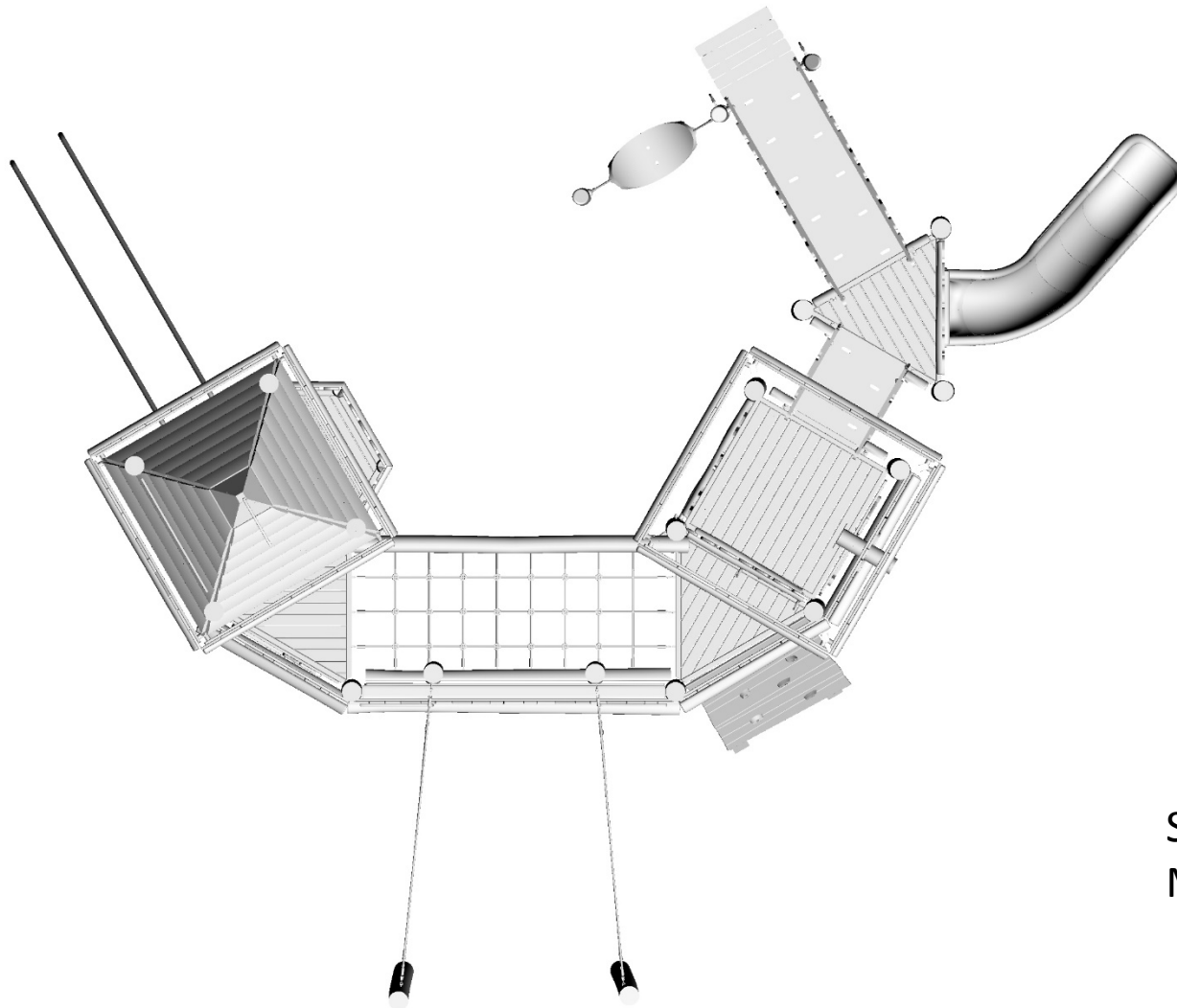


NRO423-1001 Untreated \$87,260
NRO423-1011 Brown \$94,240
NRO423-1021 Colored \$97,720
Est. Installation Price \$30,927



NRO423 ASTM
Castle, Medium

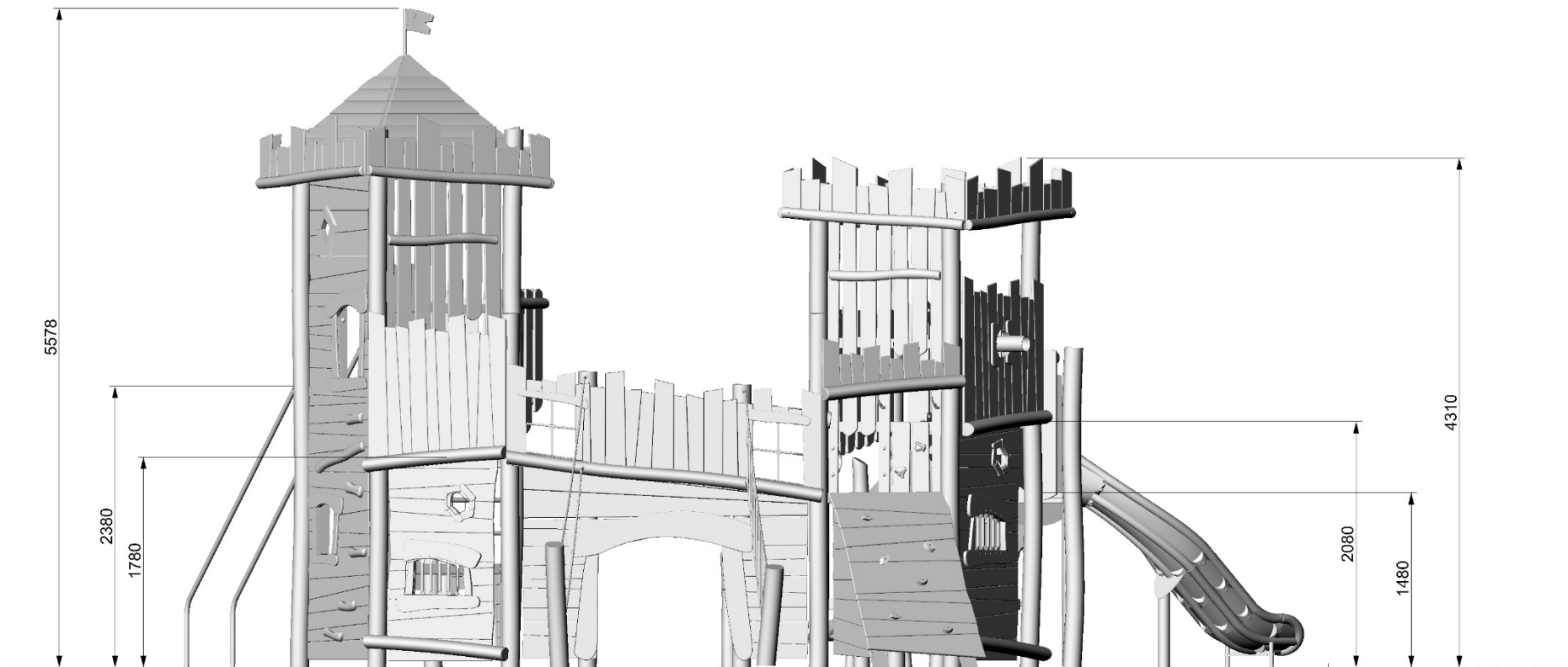
Activitie count		
Elevated	Total	4
	Accessible	2
Ground level (types)	Total	2
	Accessible	2



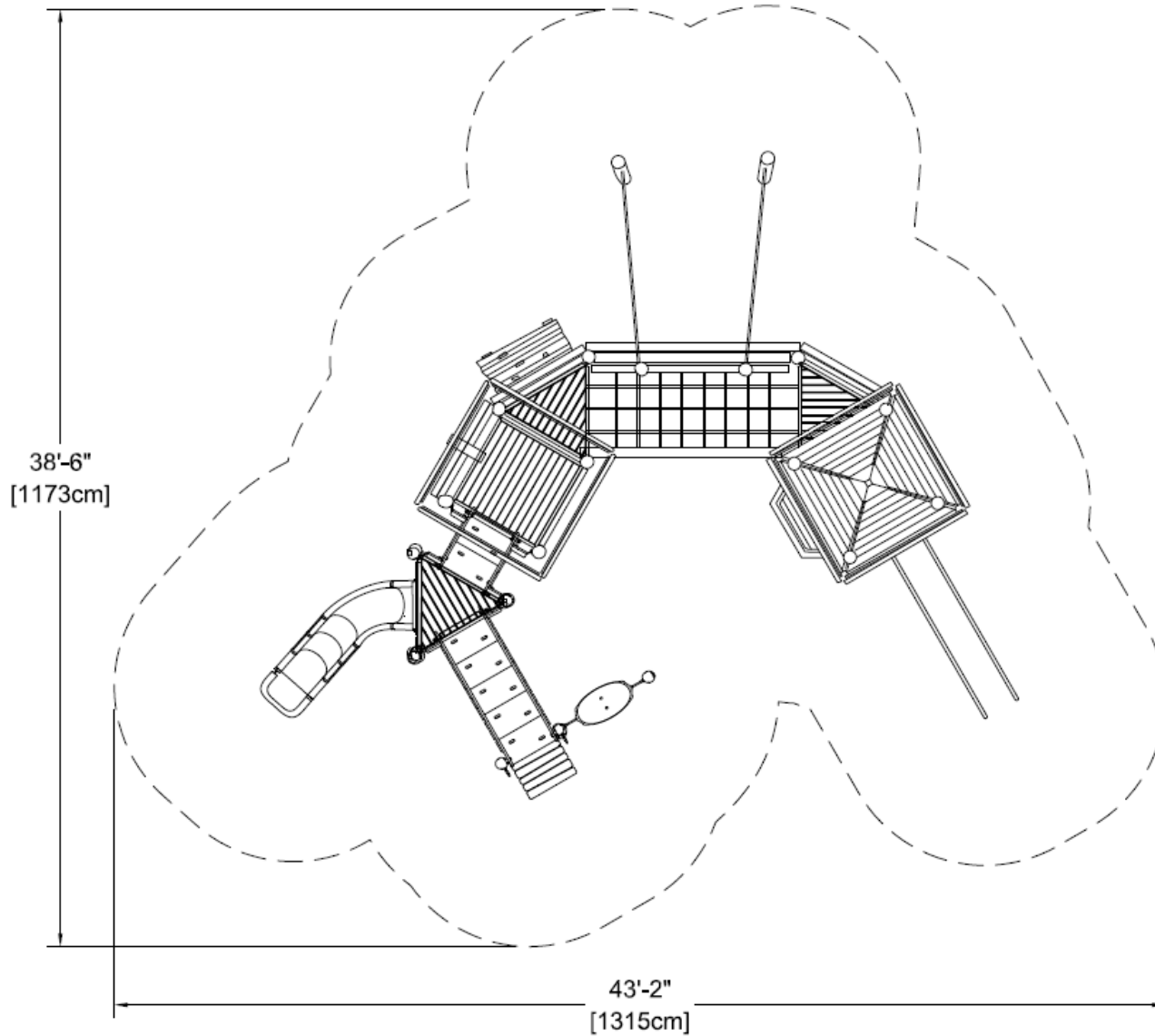
Safety surface area: 100 - 120 m²
Max fall height: 2380 mm



NRO423 ASTM
Castle, Medium



NRO423 ASTM
Castle, Medium

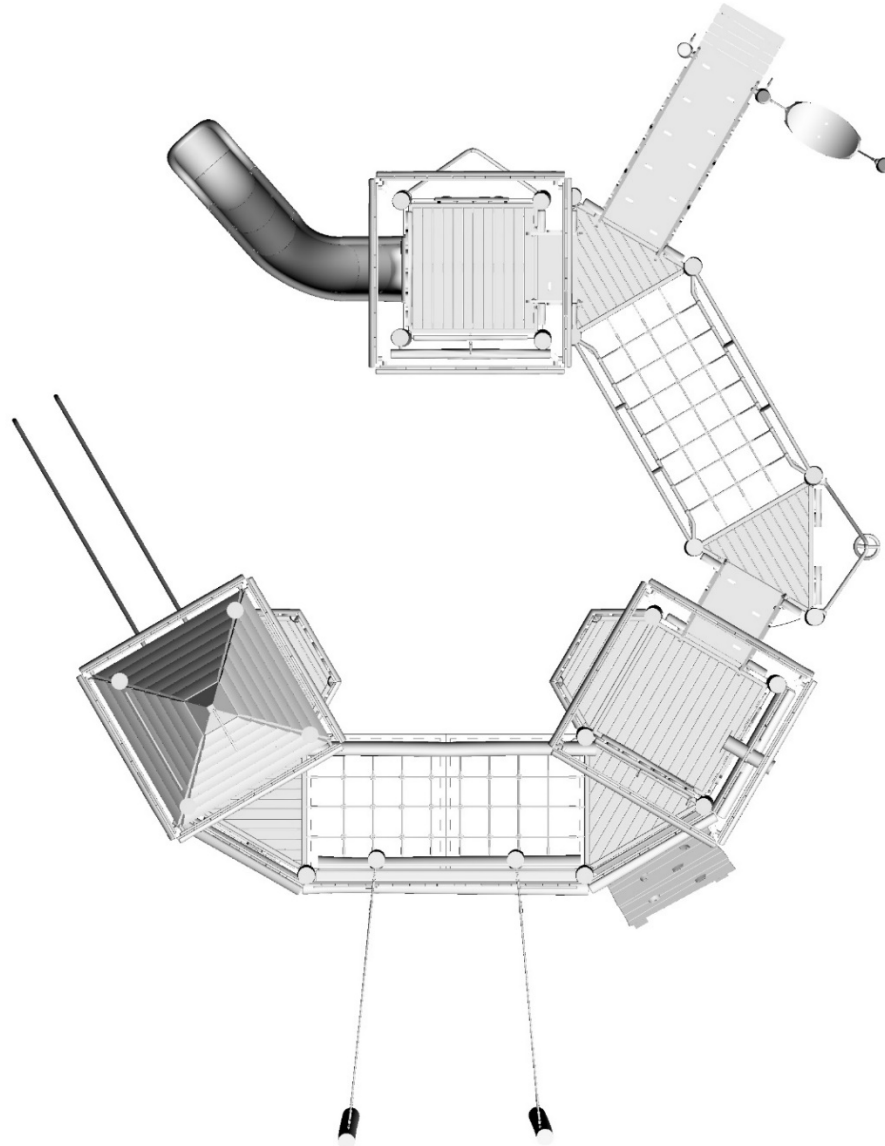


NRO425 ASTM
Castle, Large

NRO423-1001 Untreated \$87,260
NRO423-1011 Brown \$94,240
NRO423-1021 Colored \$97,720
Est. Installation Price \$36,857



NRO425 ASTM Castle, Large



Activitie count		
Elevated	Total	7
	Accessible	5
Ground level (types)	Total	2
	Accessible	2

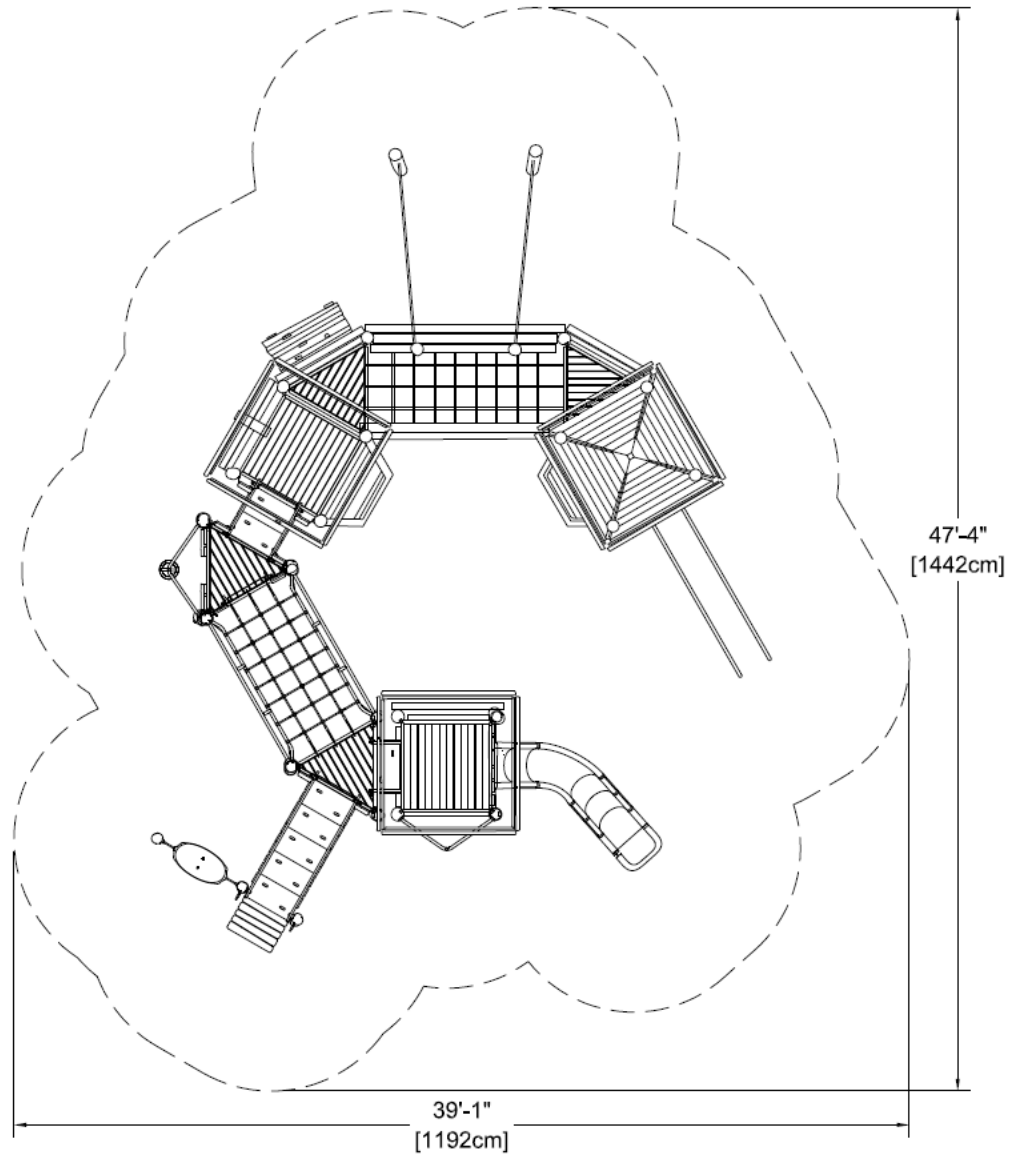
Safety surface area: 125-150 m²
Max fall height: 2380 mm



NRO425 ASTM
Castle, Large



NRO425 ASTM
Castle, Large

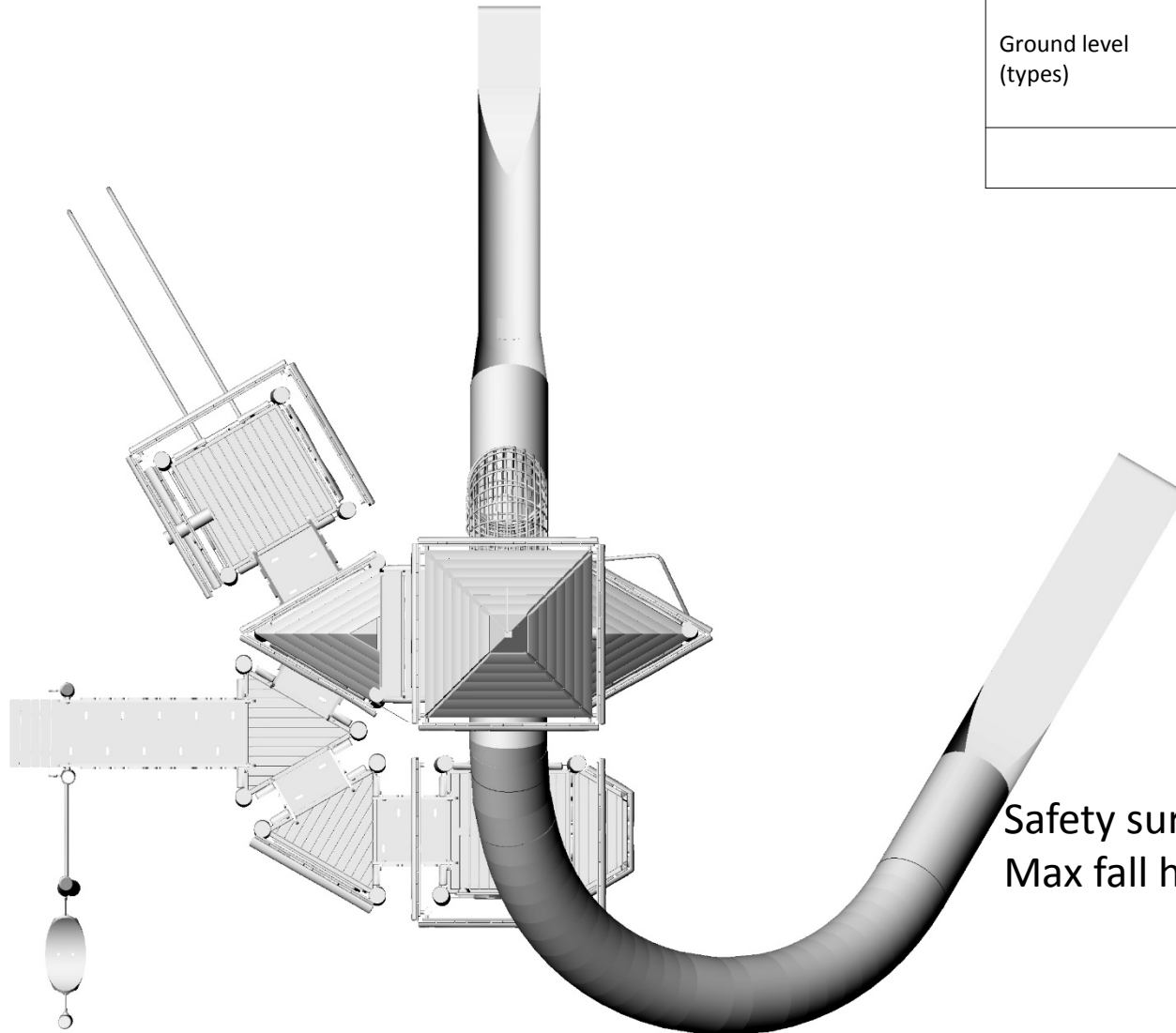


NRO427 ASTM
Tall Castle, Small



NRO427 ASTM
Tall Castle, Small

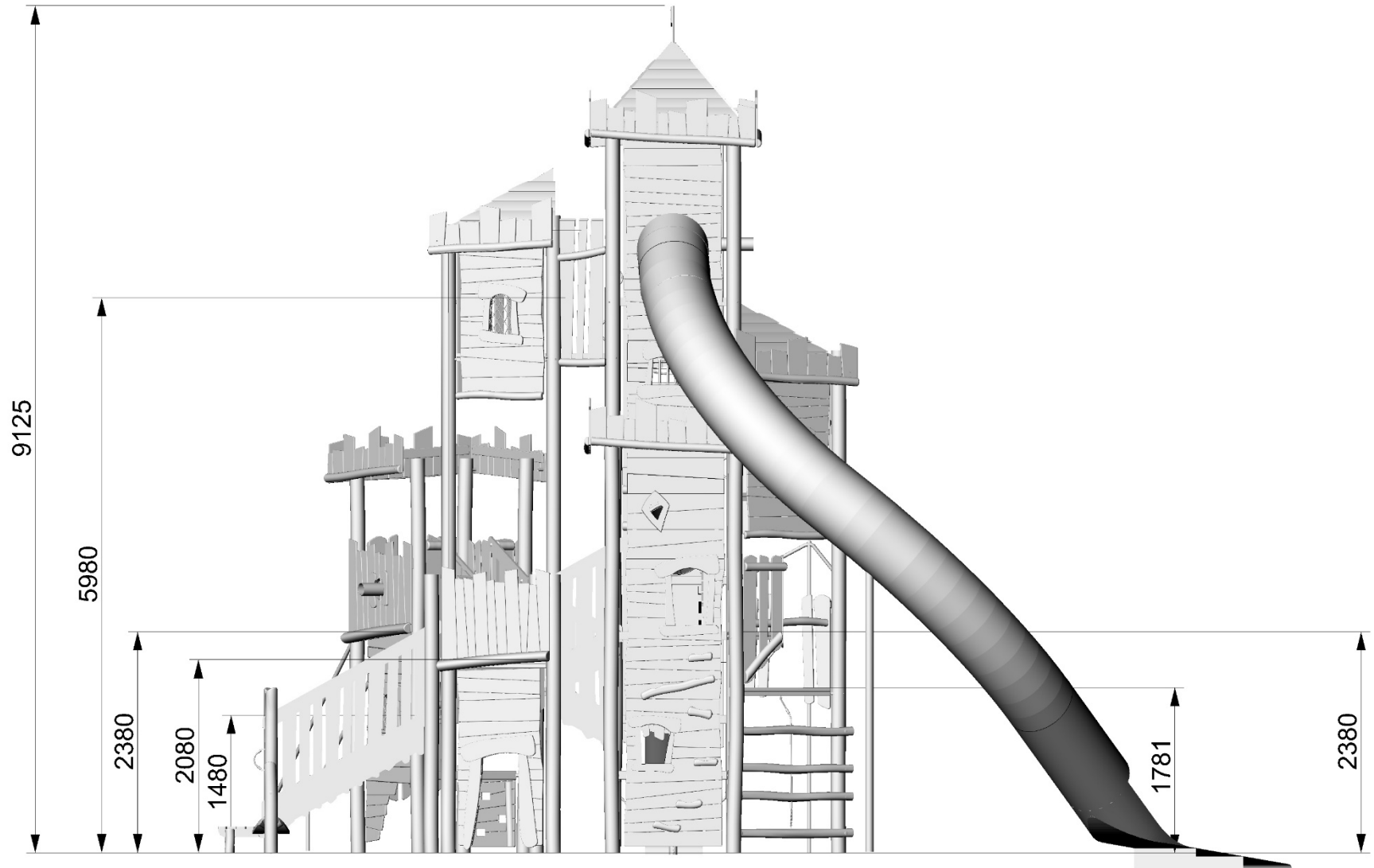
Activitie count		
Elevated	Total	8
	Accessible	4
Ground level (types)	Total	3
	Accessible	3



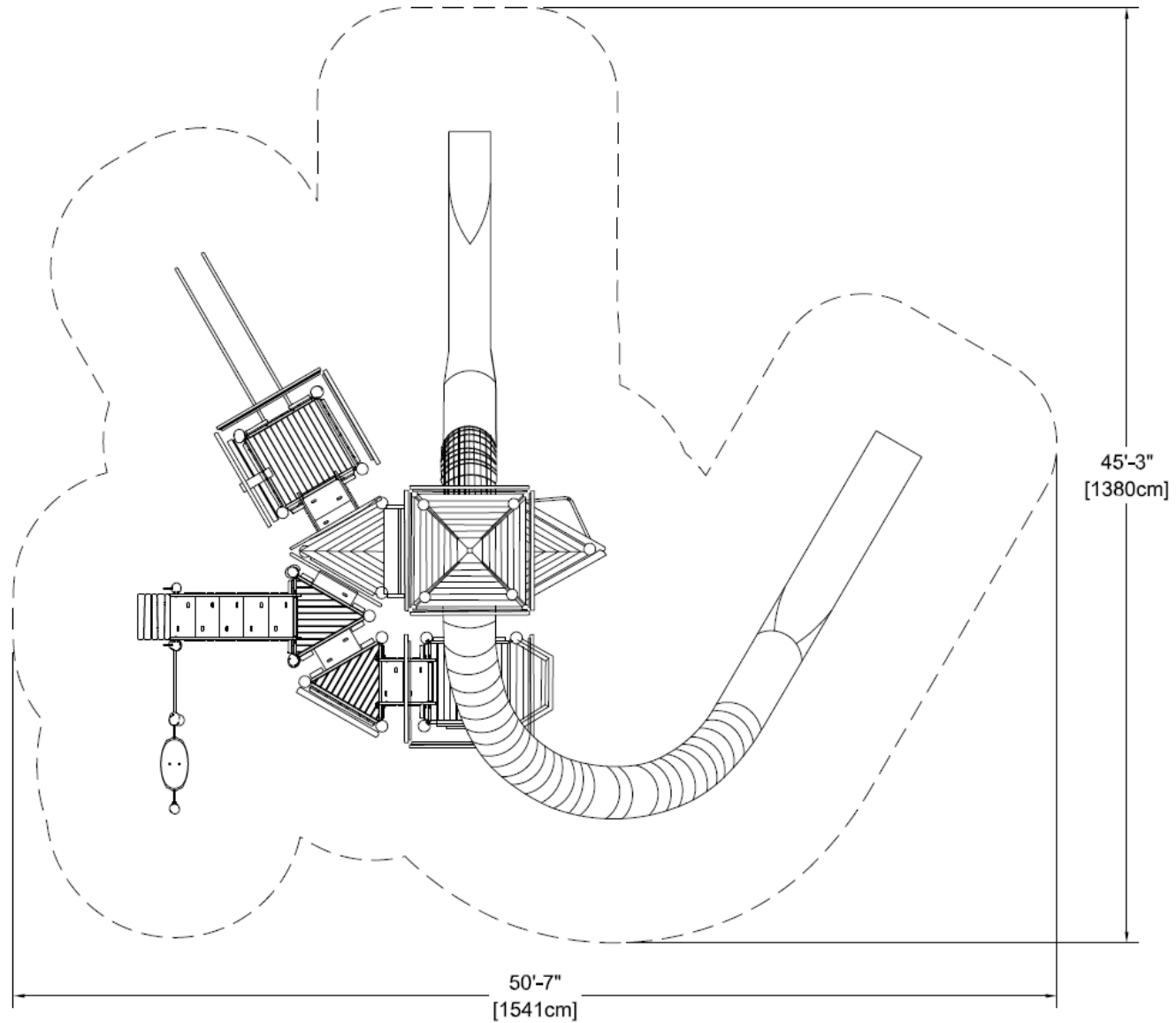
Safety surface area: 130-150 m²
Max fall height: 2380 mm



NRO427 ASTM
Tall Castle, Small



NRO427 ASTM
Tall Castle, Small

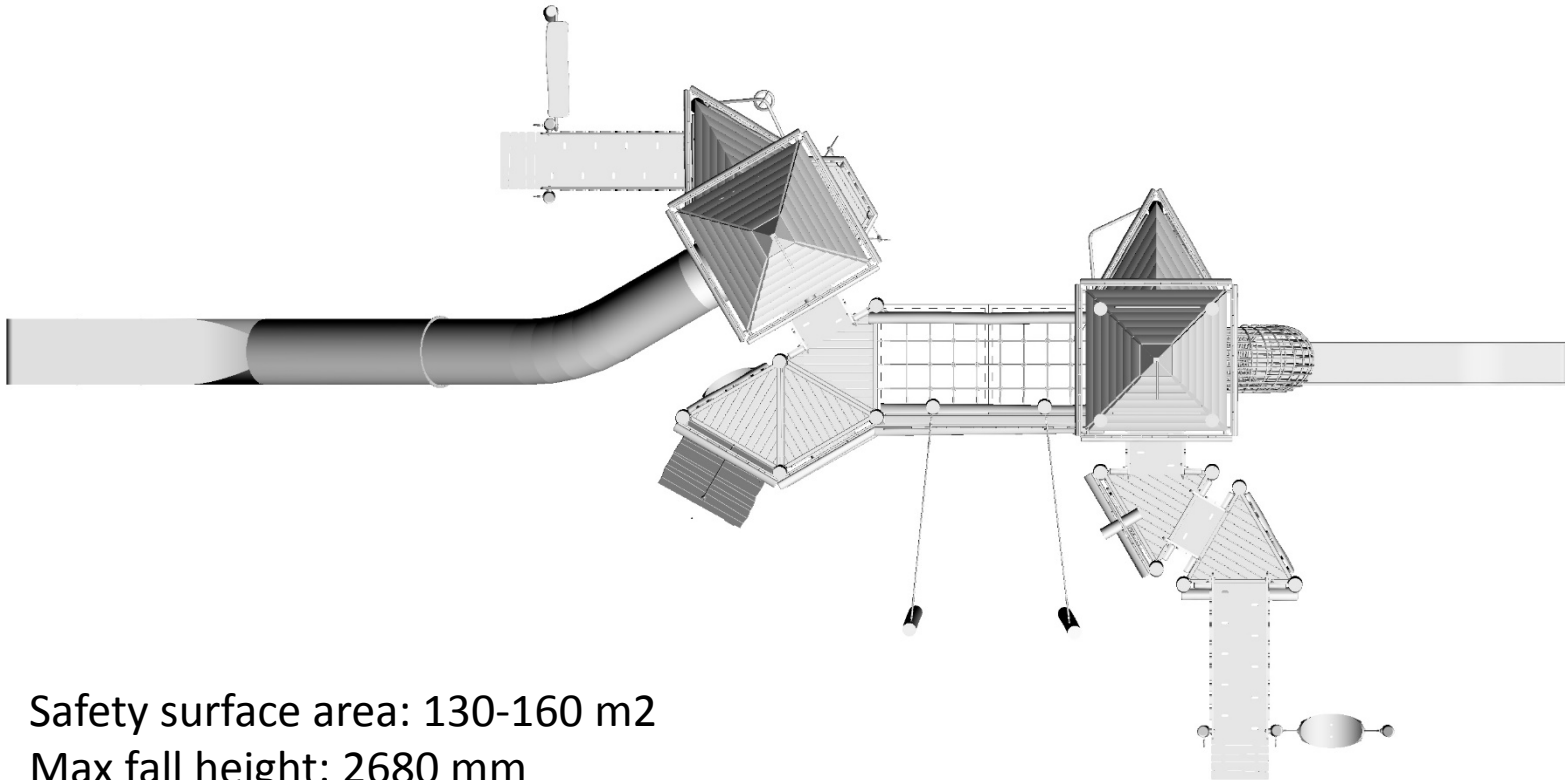


NRO429 ASTM
Tall Castle, Medium



NRO429 ASTM
Tall Castle, Medium

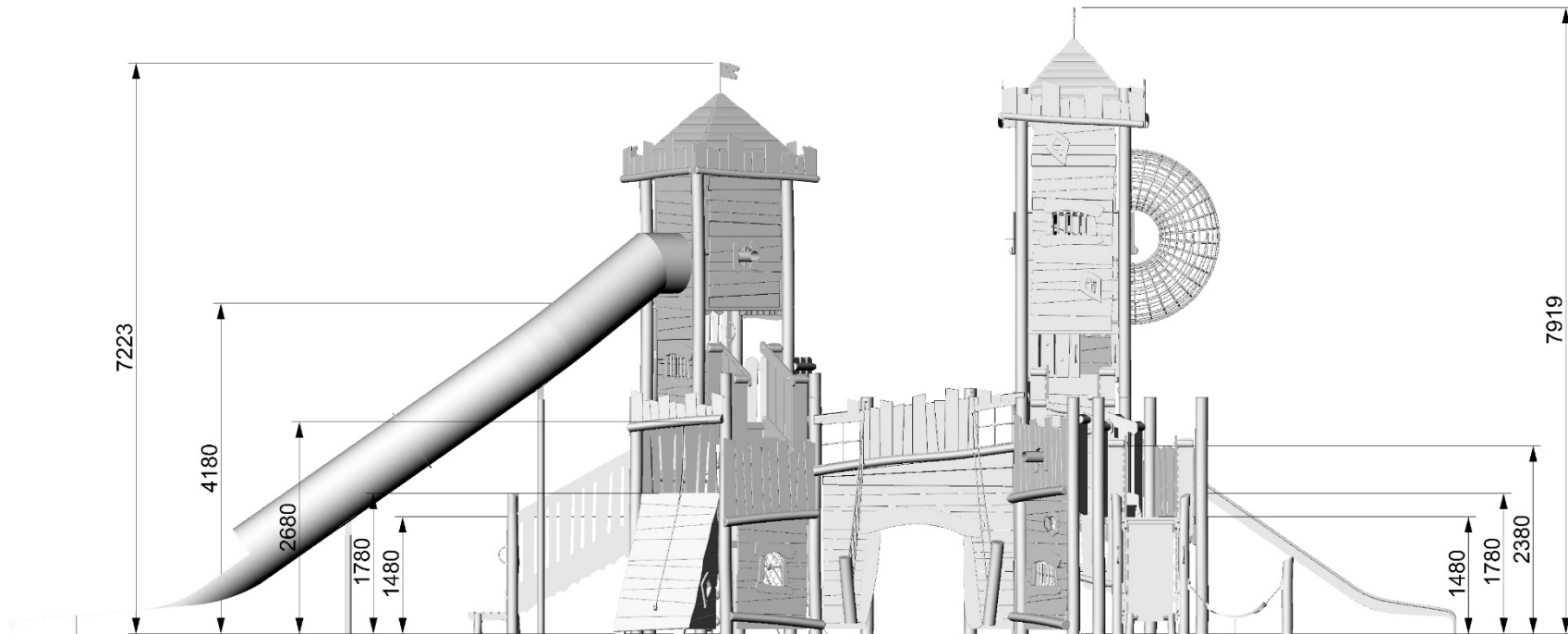
Activitie count		
Elevated	Total	8
	Accessible	4
Groundlevel	Total	3
	Accessible	3



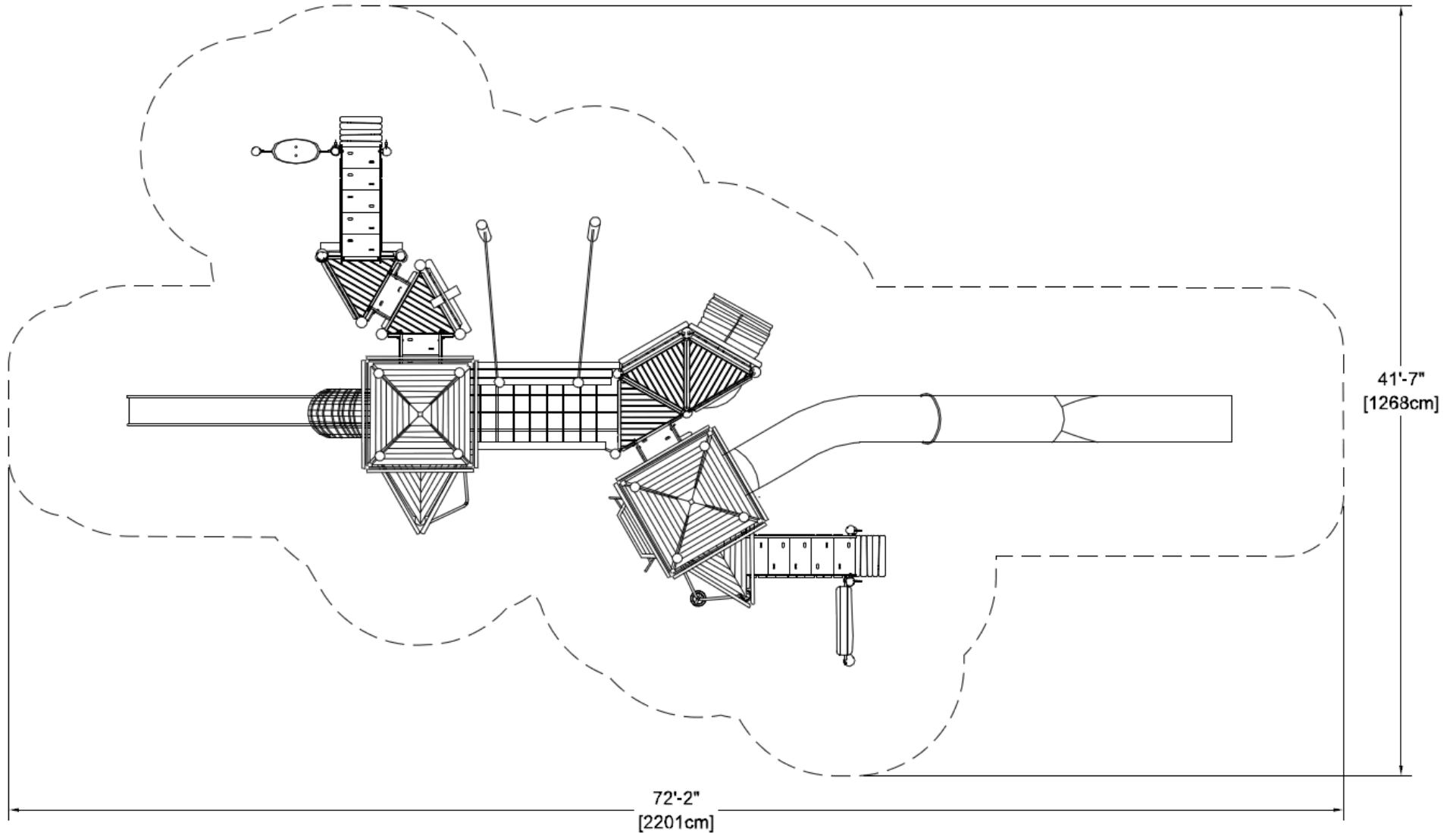
Safety surface area: 130-160 m²
Max fall height: 2680 mm



NRO429 ASTM
Tall Castle, Medium



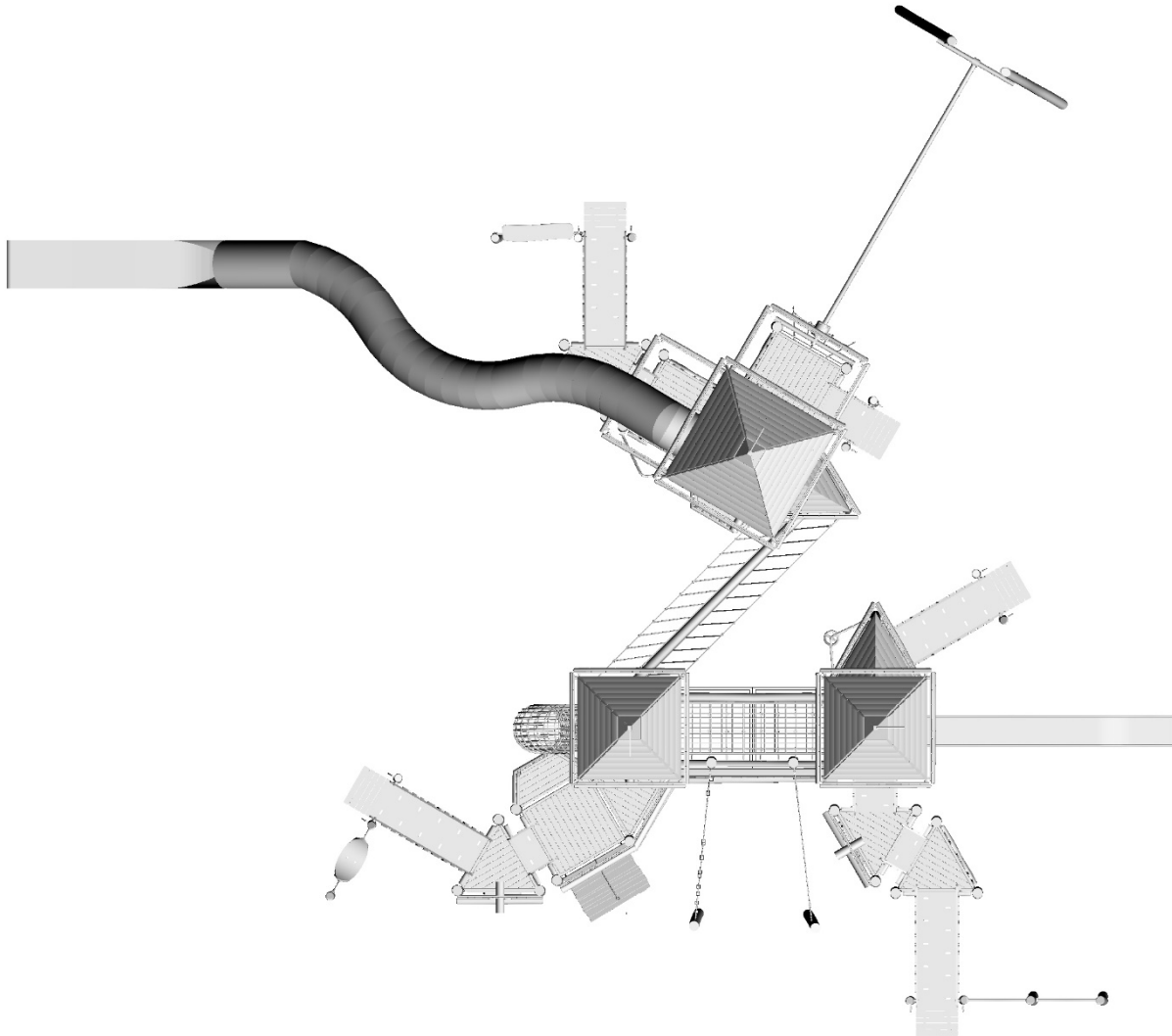
NRO429 ASTM
Tall Castle, Medium



NRO431 ASTM
Tall Castle, Large



NRO431 ASTM
Tall Castle, Large

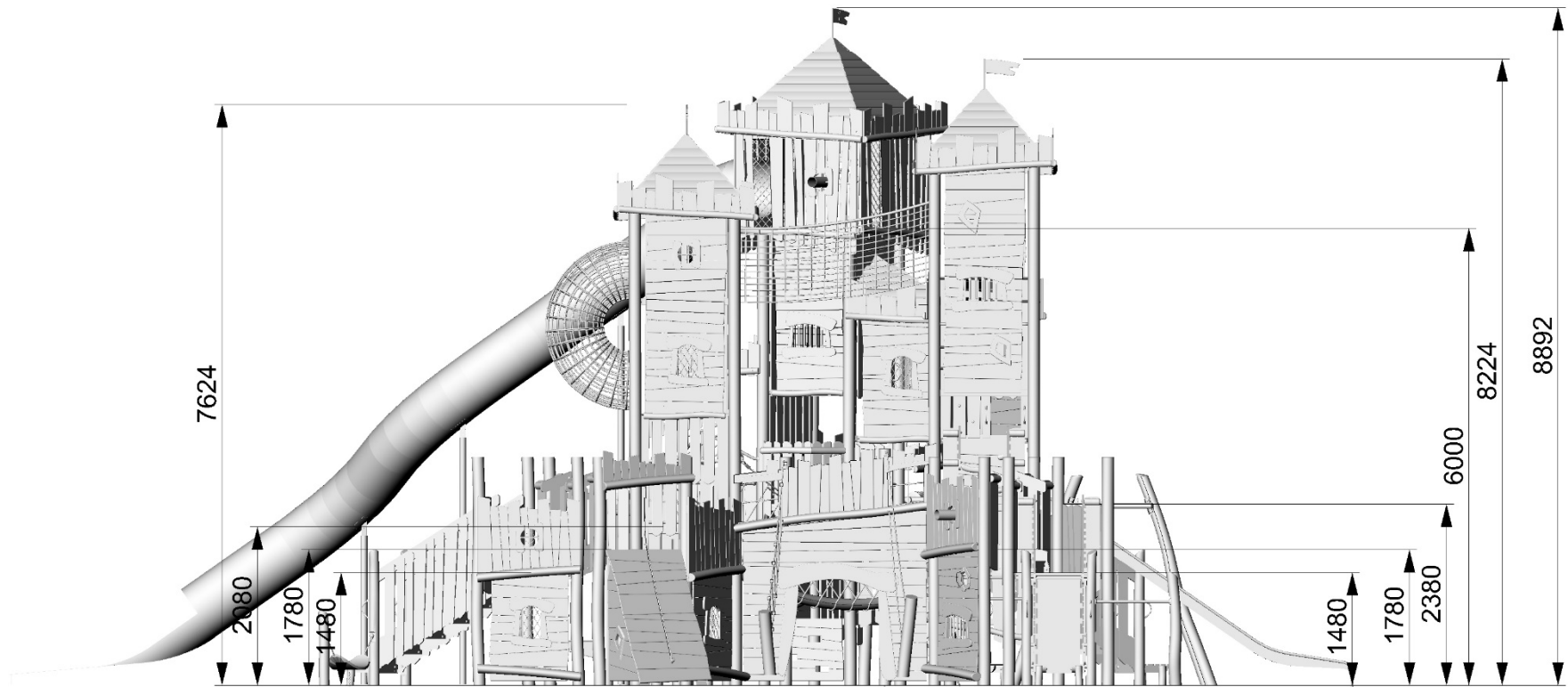


Activitie count		
Elevated	Total	14
	Accessible	7
Ground level (types)	Total	4
	Accessible	3

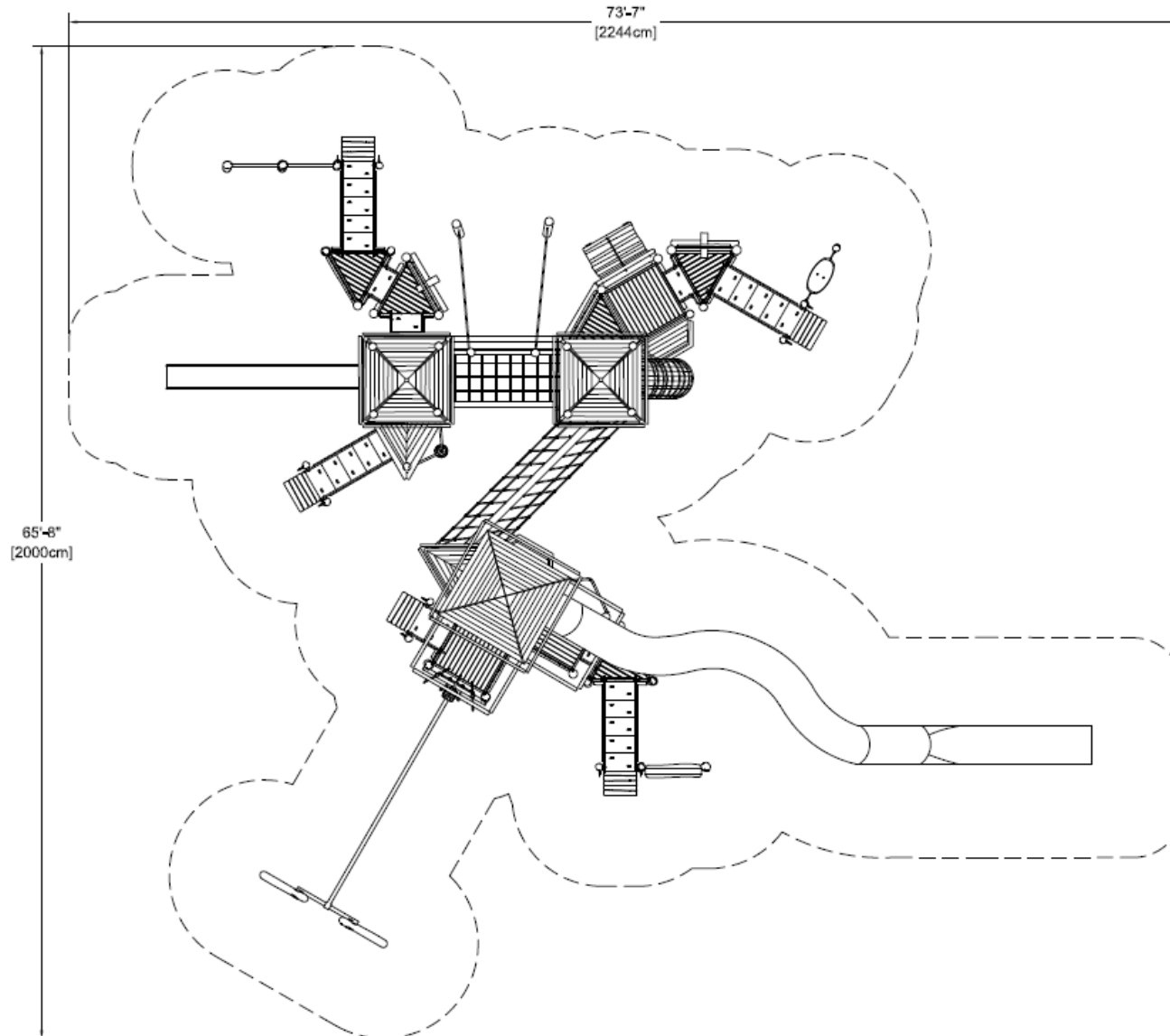
Safety surface area: 240-295 m²
Max fall height: 2380 mm



NRO431 ASTM
Tall Castle, Large



NRO431 ASTM
Tall Castle, Large



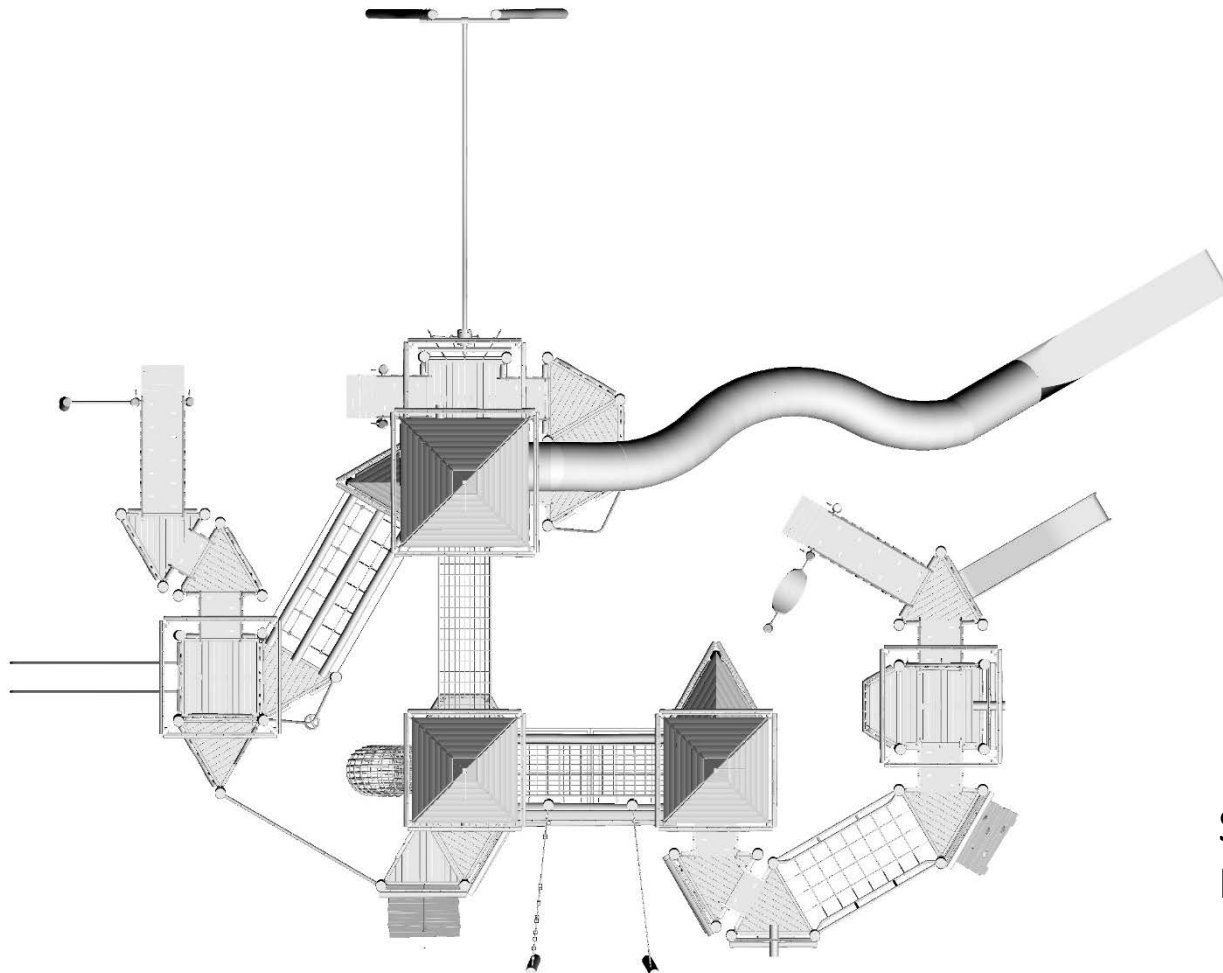
Est. Installation Price \$81,908

NRO433 ASTM Tall Castle, X-large



NRO433 ASTM
Tall Castle, X-large

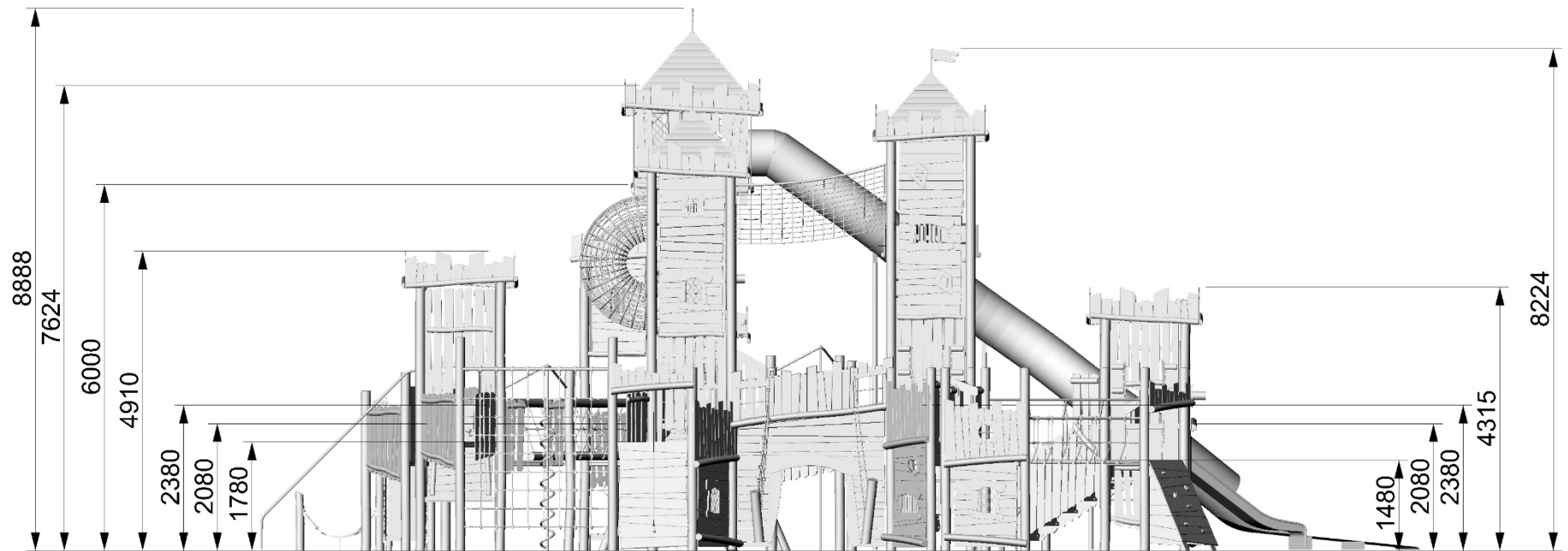
Activitie count		
Elevated	Total	18
	Accessible	9
Groundlevel	Total	6
	Accessible	5



Safety surface area: 265-320 m²
Max fall height: 2380 mm



NRO433 ASTM
Tall Castle, X-large



NRO433 ASTM
Tall Castle, X-large

